

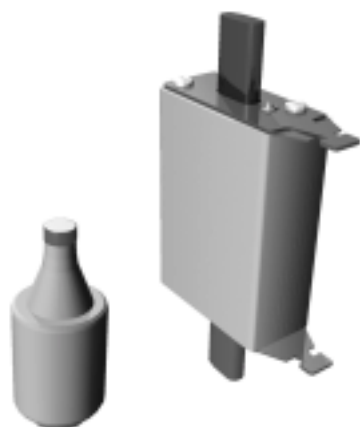
Eurofuses

European fuses are used in imported equipment, or in projects destined overseas. Eurofuses are available in two broad categories - bottle fuses and square body fuses. Both categories have many different types within the group. See the individual tables. All European fuses are current and energy limiting.


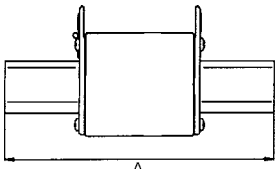
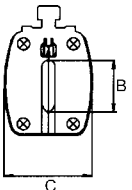
- higher voltage rating ensures compatibility with Canadian voltage levels.
- compatible with all imported makes.
- built in blown fuse indicator.
- current and energy limiting.

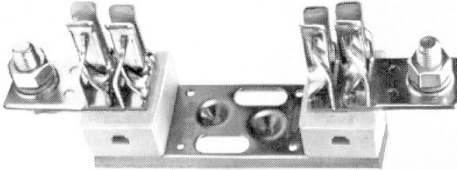
The following operating classifications are used for these fuses;

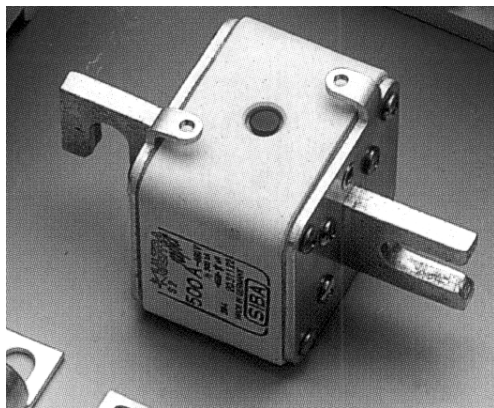
- gL, gG, gT General purpose characteristic for distribution
- aM Back up characteristic for motor circuits
- aR/gR Ultrafast characteristic for semiconductor circuits.



Type D Bottle fuses		General Specifications							
	Size	Part Number	Amp Range	D x L (mm)		Vac	Speed	I.R kA	
	D01	NEOZED	2-16A	11	36	400V	gL	100 kA	
	D02		20-63A	15	36				
	D03		80-100A	22	43				
	ND	1000204	2-25A	13	50	500V	gT		
	DII	D2gT		22			gT		
		D2gR	28	gR					
	DIII	D3gT	35-63A	28	50	500V	gT		
		D3gR					gR		
	DIVH	D4gT	80 - 100A	34	65	500V	gT		
DIII	1001101	2 - 63A	28	70	750V	gL			
Ratings Available: 2, 4, 6, 10, 16, 20, 25, 30, 35, 50, 63, 80, 100A									
Accessories for bottle fuses		Base and caps							
	Size	Base	Cap	Rating					
	ND	0038	DSC-1	25	E13				
	DII	0039	DSC-2	25	E17				
	DIII	0040	DSC-3	63	E33				
	DIVH	0041	DSC-4	100	-				
	Gauge Rings								
	D2	4060-06	for/pour 2, 4, 6A						
	D2	4060-10	for/pour 10A						
	D2	4060-16	for/pour 16A						
	D2	4060-20	for/pour 20A						
D2	4060-25	for/pour 25A							
D3	4060-35	for/pour 35A							
D3	4060-50	for/pour 50A							
D3	4060-63	for/pour 63A							

'NH' Eurofuses DIN 43 620	Size Taille		Vac	kA	speed vitesse	FUSETEK	Amperes																											
   <table border="1" data-bbox="235 997 544 1302"> <thead> <tr> <th>size taille</th> <th>'A' mm</th> <th>'B' mm</th> <th>'C' mm</th> </tr> </thead> <tbody> <tr> <td>'00c'</td> <td>78</td> <td>15</td> <td>20</td> </tr> <tr> <td>'00'</td> <td>78</td> <td>15</td> <td>29</td> </tr> <tr> <td>'0'</td> <td>125</td> <td>15</td> <td>29</td> </tr> <tr> <td>'1'</td> <td>135</td> <td>20</td> <td>46</td> </tr> <tr> <td>'2'</td> <td>150</td> <td>26</td> <td>56</td> </tr> <tr> <td>'3'</td> <td>150</td> <td>32</td> <td>66</td> </tr> </tbody> </table>	size taille	'A' mm	'B' mm	'C' mm	'00c'	78	15	20	'00'	78	15	29	'0'	125	15	29	'1'	135	20	46	'2'	150	26	56	'3'	150	32	66	'00c'	690	100	gL	2045213	2, 4A 6, 10, 16, 20, 25, 32, 35, 40, 50A
	size taille	'A' mm	'B' mm	'C' mm																														
	'00c'	78	15	20																														
	'00'	78	15	29																														
	'0'	125	15	29																														
	'1'	135	20	46																														
	'2'	150	26	56																														
	'3'	150	32	66																														
						NH00gL	63, 80, 100, 125A																											
		'00c'	690	120	gR	2047720	20, 25, 35, 40, 50A																											
		'00'		100		NH00gR	2, 4, 6, 10, 16, 63A 80, 100, 125, 160A																											
		'0'	600	100	gL	2021013	2, 4, 6, 10, 16, 20, 25A																											
						NH0gL	32, 35, 50, 63A 80, 100, 125A																											
						NH0gR	25, 32, 35, 50, 63A 80, 100, 125, 160A																											
		'0'	660	120	gR	2038404	16, 20, 25, 32, 40, 50A 63, 80, 100, 125, 160A																											
						2038404	25, 32, 35, 50, 63A 80, 100, 125, 160A																											
		'1'	600	100	gL	NH1gL	25, 32, 35, 50, 63A 80, 100, 125, 160, 200A 225, 250A																											
						NH1gR	35, 50, 63A 80, 100, 125, 160A																											
						2021120	200, 224, 250, 315A																											
		'2'	600	100	gL	2021213	35, 40, 50, 63, 80, 100, 125A																											
	NH2gL					224, 250, 315, 400A, 425A																												
	'2'	660	120	gR	NH2gR	125, 160, 200A 250, 300, 350, 400A																												
					NH2gR	250, 300, 350, 400A																												
	'3'	600	100	gL	2021313	300, 315, 355, 400A																												
					NH3gL	425, 450, 500A 630, 800A																												
		660	120	gR	NH3gR	160, 200, 250, 300, 350, 400A 450, 500A 630A																												
					NH3gR	450, 500A 630A																												

'NH' Fuseholders Porte Fusibles 'NH'	FUSETEK	Size Taille	Amps	Poles
	NHB001	NH00/00c	125A	1
	NHB003			3
	NHB01	NH0	160A	1
	NHB03			3
	NHB11	NH1	315A	1
	NHB13			3
	NHB21	NH2	400A	1
	NHB23			3
	NHB31	NH3	630A	1
	NHB33			3



DIN 43 625 Ultrafast

Square body rectifier fuses are used in large drives and power conversion equipment where larger amp ratings and superior short circuit performance are required. SIBA UR fuses are compatible with other manufacturers' fuses.

- Integral blown fuse indicator and microswitch bracket
- extremely low levels of energy let-thru
- N.American fixing centers
- approved

DIN 43625 fuses come in 5 case sizes - 00c, 00, 1, 2, & 3. Within these case sizes - UR fuses come in two voltage ratings (700 & 1300Vac) and two fixing centers (80 and 110mm). These fuses can easily be fitted with adapter and microswitch for remote annunciation, or may be used without these options.

Size 1- 3 Tag style		Size	Vac	I.R rms	SIBA	Amperes																																																																																										
		1	700	200	2061632	63, 80, 100, 125, 160, 200, 250, 315, 350, 400, 450, 500, 550, 630A 700, 800, 900A																																																																																										
		2		200	2062632	400, 450, 500, 550, 630, 700A 800, 900, 1000, 1100, 1250A																																																																																										
		3		200	2063632	500, 550, 630, 700, 800, 900, 1000A 1100, 1250, 1400, 1500, 1600A																																																																																										
		1	700	200	2061832	63, 80, 100, 125, 160, 200, 250A 315, 350, 400, 450, 500, 550, 630A 700, 800, 900A																																																																																										
		2		200	2062832	400, 450, 500, 550, 630, 700, 800A 900, 1000, 1100, 1250A																																																																																										
		3		200	2063832	500, 550, 630, 700, 800, 900, 1000A 1100, 1250, 1400, 1500, 1600A																																																																																										
<table border="1"> <thead> <tr> <th>Size</th> <th colspan="8">Dimensions (mm)</th> </tr> <tr> <th>Taille</th> <th>Vac</th> <th>Part no.</th> <th>A</th> <th>a2</th> <th>B1</th> <th>B2</th> <th>e1</th> <th>e2</th> </tr> </thead> <tbody> <tr> <td rowspan="3">1</td> <td rowspan="3">700</td> <td>2061632</td> <td>134</td> <td>47.5</td> <td>109</td> <td>68</td> <td>51</td> <td>6</td> </tr> <tr> <td>2061832</td> <td>154</td> <td>47.5</td> <td>128</td> <td>94</td> <td>51</td> <td>6</td> </tr> <tr> <td>2062632</td> <td>134</td> <td>47.5</td> <td>109</td> <td>73</td> <td>60</td> <td>6</td> </tr> <tr> <td rowspan="2">2</td> <td rowspan="2">700</td> <td>2062832</td> <td>154</td> <td>47.5</td> <td>128</td> <td>94</td> <td>60</td> <td>6</td> </tr> <tr> <td>2063632</td> <td>134</td> <td>49</td> <td>109</td> <td>75</td> <td>73</td> <td>6</td> </tr> <tr> <td>3</td> <td>700</td> <td>2063832</td> <td>154</td> <td>49</td> <td>128</td> <td>94</td> <td>73</td> <td>6</td> </tr> <tr> <td>1</td> <td rowspan="3">1300</td> <td>2071832</td> <td>157</td> <td>70.5</td> <td>132</td> <td>96</td> <td>51</td> <td>6</td> </tr> <tr> <td>2</td> <td>2072832</td> <td>157</td> <td>70.5</td> <td>132</td> <td>96</td> <td>60</td> <td>6</td> </tr> <tr> <td>3</td> <td>2073832</td> <td>157</td> <td>70.5</td> <td>132</td> <td>98</td> <td>73</td> <td>6</td> </tr> </tbody> </table>	Size	Dimensions (mm)								Taille	Vac	Part no.	A	a2	B1	B2	e1	e2	1	700	2061632	134	47.5	109	68	51	6	2061832	154	47.5	128	94	51	6	2062632	134	47.5	109	73	60	6	2	700	2062832	154	47.5	128	94	60	6	2063632	134	49	109	75	73	6	3	700	2063832	154	49	128	94	73	6	1	1300	2071832	157	70.5	132	96	51	6	2	2072832	157	70.5	132	96	60	6	3	2073832	157	70.5	132	98	73	6	1	1300	200	2071832	50, 63, 80, 100, 125, 160, 200A 250, 280, 315, 350, 400, 450A 500, 550, 630A
	Size	Dimensions (mm)																																																																																														
	Taille	Vac	Part no.	A	a2	B1	B2	e1	e2																																																																																							
	1	700	2061632	134	47.5	109	68	51	6																																																																																							
			2061832	154	47.5	128	94	51	6																																																																																							
			2062632	134	47.5	109	73	60	6																																																																																							
2	700	2062832	154	47.5	128	94	60	6																																																																																								
		2063632	134	49	109	75	73	6																																																																																								
3	700	2063832	154	49	128	94	73	6																																																																																								
1	1300	2071832	157	70.5	132	96	51	6																																																																																								
2		2072832	157	70.5	132	96	60	6																																																																																								
3		2073832	157	70.5	132	98	73	6																																																																																								
2	200	2072832	250, 280, 315, 350, 400, 450, 500A 550, 630, 700, 800A																																																																																													
3	200	2073832	315, 350, 400, 450, 500, 550, 630A 700, 800, 900, 1000, 1100A 1100, 1250, 1400A																																																																																													

Note: fuses listed come with brackets for microswitch. (shown dotted in above drawing). If microswitch is required - a microswitch and adapter need to be ordered separately. Please see page 56 for these items.

S1 - S3 Puck style					Size	Vac	I.R	SIBA	Amperes				
					Taille		rms						
					N.American UNC threads								
					1	700	200	2066432	63, 80, 100, 125, 160, 200A 250, 315, 350, 400, 450, 500A 550, 630, 700, 800, 900A				
					2	700	200	2067432	400, 450, 500, 550, 630, 700, 800A 900, 1000, 1100, 1250A				
					3	700	200	2068432	500, 550, 630, 700, 800, 900A 1000, 1100, 1250, 1400A 1500, 1600A				
					1	1300	100	2076432	50, 63, 80, 100, 125, 160, 200A 250, 280, 315, 350, 400A 450, 500, 550, 630A				
					2	1300	100	2077432	250, 280, 315, 350, 400, 450A 500, 550, 630, 700, 800A				
					3	1300	100	2078432	315, 350, 400, 450, 500, 550, 630A 700, 800, 900, 1000A 1100, 1250, 1400A				
					Metric Threads								
					1	660	200	2066132	63, 80, 100, 125, 160, 200A 250, 315, 350, 400, 450, 500A 550, 630, 700, 800, 900A				
					2	660	200	2067132	400, 450, 500, 550, 630, 700, 800A 900, 1000, 1100, 1250A				
3	660	200	2068132	500, 550, 630, 700, 800, 900A 1000, 1100, 1250, 1400A 1500, 1600A									
1	1250	100	2071632	50, 63, 80, 100, 125, 160, 200A 250, 280, 315, 350, 400A 450, 500, 550, 630A									
2	1250	100	2077132	250, 280, 315, 350, 400, 450A 500, 550, 630, 700, 800A									
3	1250	100	2078132	315, 350, 400, 450, 500, 550, 630A 700, 800, 900, 1000A 1100, 1250, 1400A									

Size	Dimensions (mm)						
Taille	Vac	Part no.	A	C	Thread		
1	700	2066432	51	50.5	5/16-18unc		
		2066132	51	50.5	M8		
		2067432	60	50.5	3/8-16 unc		
			2067132	60	50.5	M10	
		3	700	2068432	73	50.5	1/2-13unc
				2068132	73	50.5	M12)
1	1300	2076432	51	73.5	5/16-18unc		
		2071632	51	73.5	M8		
		2077432	60	73.5	3/8-16unc		
			2077132	60	73.5	M10	
		2	1300	2078432	73	73.5	1/2-13unc
				2078132	73	73.5	M12

00 & 00c		Size	CC	I.R	kA	Vac	SIBA	Amperes
		Taille	mm	rms				
	00c	80	100	660	2055804 (L)	16, 20, 25A		
			200	700	2028220 (*)	32, 35, 40, 50, 63, 80, 100, 125, 160, 200, 250, 315A		
	00	80	100	660	2041204 (L)	16, 20, 25, 32A		
						35, 40, 50, 63, 80A		
			200	700	2041220 (L, *)	100, 125A 160, 200A		
						250, 315, 350, 400A		

Dimensions (mm)		
	00	00c
A	105	100
B	29.5	20.4
C	47	38
CC	80	80
D	10.3	8.5
E	28.8	20

Note: L denotes microswitch bracket. ** denotes Ur listed.

Accessories/Accessoires	for/pour	SIBA
	Adaptor for 660/700V fuses	2800102
	Adaptor for 1000V fuses	2800103
	Microswitch only	2800104

Bases for DIN 43653 fuses	SIBA	fuse type	Amps	Terminal Centres	Fig.
	21 189 01	700V - 00, 00c	400A	125mm	1
	21 313 01	700V - 1, 2, 3 short	630A	150mm	2
	21 313 02	700V - 1, 2, 3 long	1250A	150mm	2
	21 323 01	1300V - 1, 2, 3	630A	180mm	2
	21 323 02	1300V - 1, 2, 3	1250A	180mm	2

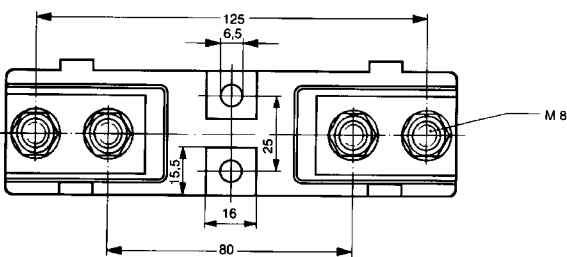
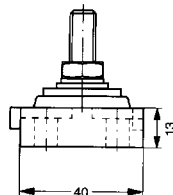
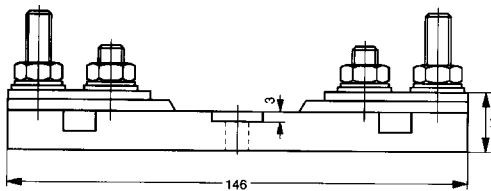


Fig. 1

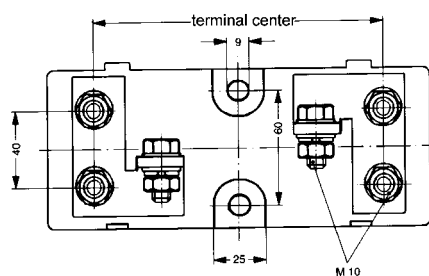
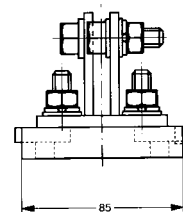
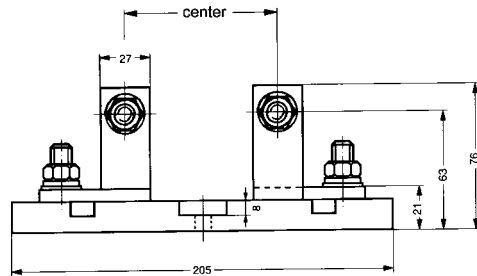


FIG.2



Ferrule fuses

Usually found in imported equipment. Available in the following characteristics;

- F = Fast - overload and short circuit.
- M = medium - overload and short circuit.
- FF = Ultrafast - short circuit only.
- gL = General purpose-overload and short circuit.
- aM = Motor circuit - short circuit only.
- gR = Ultrafast-overload and short circuit.

Metric	D x L (mm)	Vac	Speed		Ratings available
Ferrule and Electronic fuses - General Specifications					
<p>ind = indicator</p>	5 x 20	250	FF	7000140	160mA - 10A
	5 x 20 w/ind.	250	M	7001407	80mA-1.25A
				7001205	1.6-4A
					6.3A
	5 x 25	250	F	7000234	100ma-10A
			M	7000202	100ma-1.25A
				7000502	1.6-10A
	5 x 25 w/ind.	450	F	7008913	500mA-10A
	5 x 30	500	F	7000334	100ma-10A
			M	7000302	32mA-1.25A
				7000602	1.6-10A
	6 x 32	700	FF	7012540	160mA-2A
		500			2.5-20A
	8 x 32	380	gL	5006608	2-20A
	10 x 38	700	gR	5017906	4-30A
14x 51	660	gL	5005808	2-40A (32&40A - 500V only)	
		aM	5005807	1/4-40A (32&40A - 500V only)	
14x 51	700	gR	5012406	2, 4, 6, 8, 10, 12, 16, 20, 25A	
				32, 40, 50A	
14 x 51 ind.	700	gR	5012606	2, 4, 6, 8, 10, 12, 16, 20, 25, 32, 40, 50A	
22 x 58	660	gL	5006008	1-100A (100A - 500V only)	
		aM	5006007	1/4-100A (100A - 500V only)	
22 x 58	700	gR	5014006	12, 16, 20, 25, 32, 40, 50, 63, 80, 100A	
Code PG30	22 x 58 ind.	660	gR	5014206	12, 16, 20, 25, 32, 40, 50, 63, 80, 100A

Standard ratings available: mA 32, 40, 50, 63, 80, 100, 125, 160, 200, 250, 315, 400, 500, 630, 800mA, 1, 1.25, 1.6, 2, 2.5, 3.15, 4, 5, 6.3, 8, 10, 12, 16, 20, 25, 32, 40, 50, 63, 80, 100A

FUSES FOR SEMICONDUCTOR PROTECTION

EUROPEAN STANDARD

TYPE D0 / D



Voltage rating: AC 440 V – AC 500 V

Current rating: 2 A to 200 A

Class: gR / aR

Standards: IEC 60269-4

DIN VDE 0636-40

DIN 49515 / 49360

SIBA D-Fuses, also known as type Diazed/ Neozed fuses are supplied in eight different sizes, ND, DII, DIII, DVI, DV, D01, D02, D03. All fuses have color coded blown fuse indicators.

Features / Benefits

- ▶ Class gR for rated currents up to 100 A
Class aR for rated currents above 100 A
- ▶ All fuses have blown fuse indicators
- ▶ Protection of Power Semiconductors according to IEC 60269-4
- ▶ Fuse Bases and Accessories are available



FUSES FOR SEMICONDUCTOR PROTECTION

EUROPEAN STANDARD

TYPE D0 / D

Selection Guide

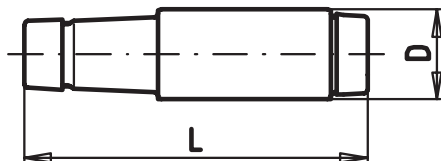
Type	size	Rated Voltage	Part No.	Selector Guide Page
ND	E 16	500 V	10 002 07	URD 3
DII	E 27	500 V	10 005 07	URD 4
DIII	E 33	500 V	10 007 07	URD 5
DIV	R 1¼"	500 V	10 009 07	URD 6
DV	R 2"	500 V	10 010 07	URD 7
D01	E 14	440 V	10 027 07	URD 8
D02	E 18	440 V	10 028 07	URD 9
D03	M 30x2	440 V	10 029 07	URD 10



FUSES FOR SEMICONDUCTOR PROTECTION
EUROPEAN STANDARD TYPE D0 / D

Type ND	Rated voltage AC 500 V	Size E 16	Standard DIN 49360
--------------------------	---	----------------------------	-------------------------------------

Rated current	Part No.	Weight (kg/100)	Pack
2 A	10 002 07	1.6	50
4 A	10 002 07	1.6	50
6 A	10 002 07	1.6	50
10 A	10 002 07	1.6	50
16 A	10 002 07	1.6	50
20 A	10 002 07	1.6	50
25 A	10 002 07	1.6	50
30 A	10 002 07	1.6	50



D 0.50" (12.5 mm)
L 1.97" (50 mm)



FUSES FOR SEMICONDUCTOR PROTECTION
EUROPEAN STANDARD

TYPE D0 / D

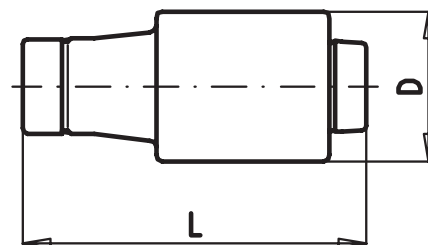
Type
D II

Rated voltage
AC 500 V

SIZE
E 27

Standard
DIN 49515

Rated current	Part No.	Weight (kg/100)	Pack
2 A	10 005 07	3.1	5
4 A	10 005 07	3.1	5
6 A	10 005 07	3.1	5
10 A	10 005 07	3.1	5
16 A	10 005 07	3.1	5
20 A	10 005 07	3.1	5
25 A	10 005 07	3.1	5
30 A	10 005 07	3.1	5



D 0.87" (22 mm)
L 1.97" (50 mm)

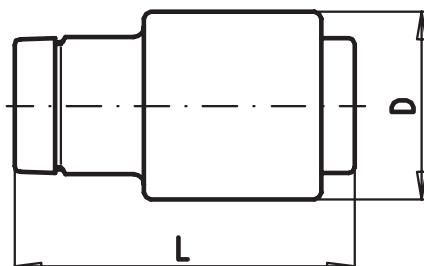


FUSES FOR SEMICONDUCTOR PROTECTION
EUROPEAN STANDARD

TYPE D0 / D

Type D III	Rated voltage AC 500 V	Size E 33	Standard DIN 49515
----------------------	----------------------------------	---------------------	------------------------------

Rated current	Part No.	Weight (kg/100)	Pack
35 A	10 007 07	3.1	5
50 A	10 007 07	3.1	5
63 A	10 007 07	3.1	5



D	1.06" (27 mm)
L	1.97" (50 mm)



FUSES FOR SEMICONDUCTOR PROTECTION
EUROPEAN STANDARD

TYPE D0 / D

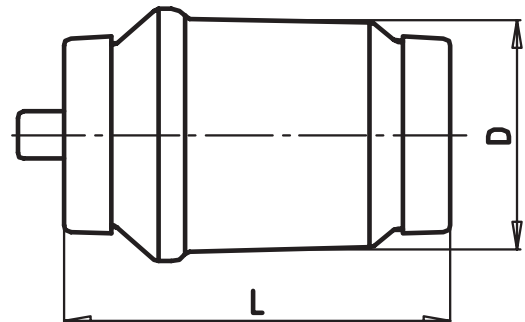
Type
D IV

Rated voltage
AC 500 V

Size
R 1¼"

Standard
DIN 49515

Rated current	Part No.	Weight (kg/100)	Pack
80 A	10 009 07	11.6	5
100 A	10 009 07	11.6	5



D 1.30" (33 mm)
L 1.97" (50 mm)

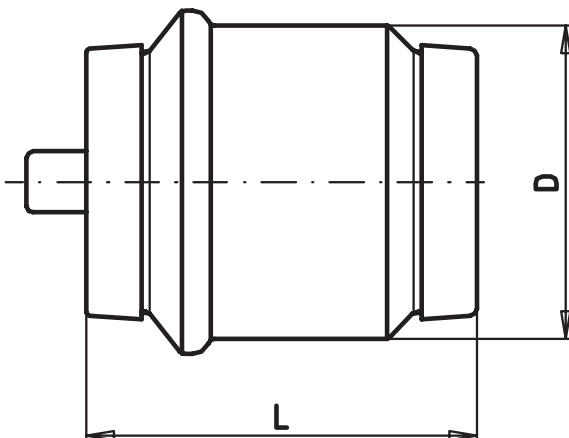


FUSES FOR SEMICONDUCTOR PROTECTION
EUROPEAN STANDARD

TYPE D0 / D

Type D V	Rated voltage AC 500 V	Size R 2"	Standard DIN 49365
--------------------	----------------------------------	---------------------	------------------------------

Rated current	Part No.	Weight (kg/100)	Pack
125 A	10 010 07	11.6	5
160 A	10 010 07	11.6	5
200 A	10 010 07	11.6	5



D	1.80" (46 mm)
L	1.97" (50 mm)



FUSES FOR SEMICONDUCTOR PROTECTION
EUROPEAN STANDARD

TYPE D0 / D

Type
D 01

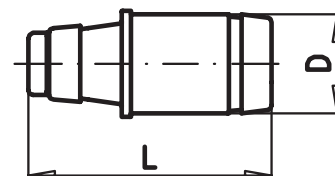
Rated voltage
AC 440 V

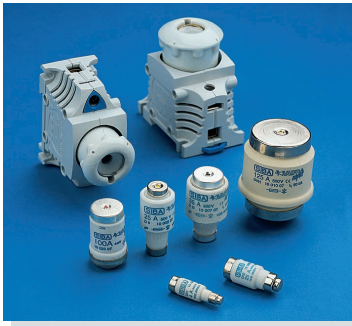
Size
E 14

Standard
DIN 49522

Rated current	Part No.	Weight (kg/100)	Pack
2 A	10 027 07	0.62	50
4 A	10 027 07	0.62	50
6 A	10 027 07	0.62	50
10 A	10 027 07	0.62	50
16 A	10 027 07	0.62	50

D 0.43" (11 mm)
L 1.42" (36 mm)



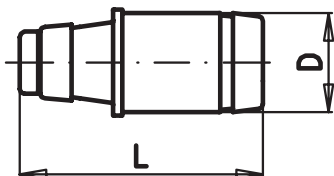


FUSES FOR SEMICONDUCTOR PROTECTION
EUROPEAN STANDARD

TYPE D0 / D

Type D 02	Rated voltage AC 440 V	Size E 18	Standard DIN 49522
---------------------	----------------------------------	---------------------	------------------------------

Rated current	Part No.	Weight (kg/100)	Pack
20 A	10 028 07	1.4	30
25 A	10 028 07	1.4	30
35 A	10 028 07	1.4	30
50 A	10 028 07	1.4	30
63 A	10 028 07	1.4	30



D	0.60" (15.3 mm)
L	1.42" (36 mm)



FUSES FOR SEMICONDUCTOR PROTECTION
EUROPEAN STANDARD

TYPE D0 / D

Type
D 03

Rated voltage
AC 440 V

Size
M 30x2

Standard
DIN 49522

Rated current	Part No.	UL Rec.	Weight (kg/100)	Pack
80 A	10 029 07		4.2	30
100 A	10 029 07		4.2	30

D 0.90" (22.5 mm)
L 1.70" (43 mm)

