



***Multipole Connectors
for
Modular Connections
in
Class I, Zone 2 Areas***

Wieland Hazardous Location Devices

**Protect Your Class I,
Zone 2 Locations
...And Your Budget**

revosKIT Multipole Connectors for Class I, Zone 2 areas...



The *revosKIT* parts listed below are designed for interface between field wiring and your control panel / junction box. Each **TOP ENTRY** *revosKIT* includes a Socket & Plug combination, a Hood, a Base (Housing), and a pre-installed METRIC to NPT (National Pipe Thread) Adapter.

Standard *revosKIT*s are available in 4, 6, 10, 16, 24, 32 & 48 pole versions. The electrical ratings for the inserts are as follows:

- **10A, 600V** (4-pole)
 - **16A, 600V** (6, 10, 16, 24, 32, 48 poles)
 - **35A, 600V** (6-pole).
- Amps per pole.*

*[34.271.1104.4](#) → Z2-HTB-4POLE-TE-SL-10A-600V-M20-1/2"NPT

*[34.271.1206.4](#) → Z2-HTB-6POLE-TE-SL-16A-600V-M20-1/2"NPT

*[34.272.1306.4](#) → Z2-HTB-6POLE-TE-DL-35A-600V-M25-3/4"NPT

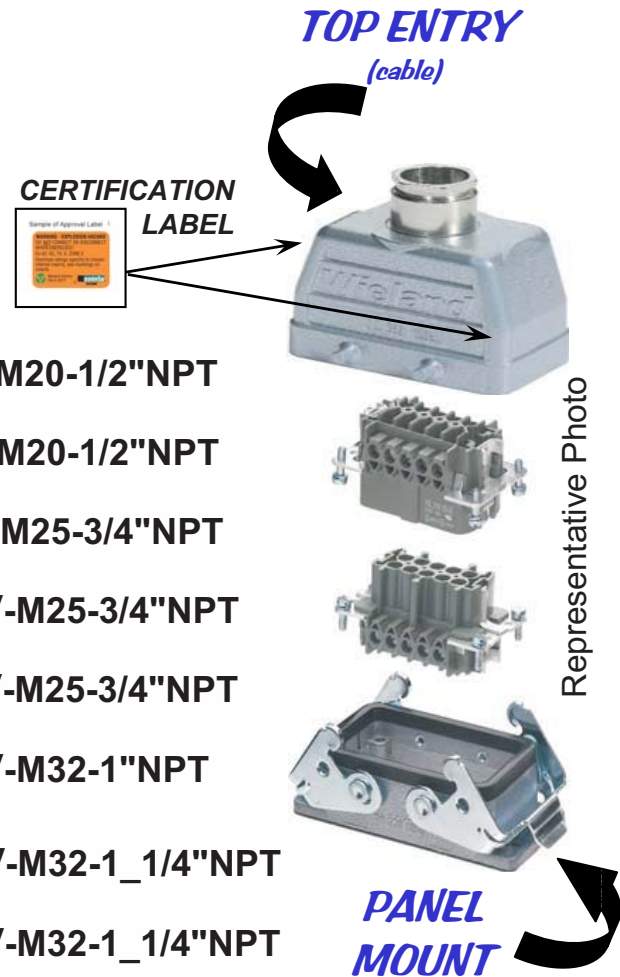
*[34.272.1210.4](#) → Z2-HTB-10POLE-TE-DL-16A-600V-M25-3/4"NPT

*[34.272.1216.4](#) → Z2-HTB-16POLE-TE-DL-16A-600V-M25-3/4"NPT

*[34.272.1224.4](#) → Z2-HTB-24POLE-TE-DL-16A-600V-M32-1"NPT

*[34.272.1232.4](#) → Z2-HTB-32POLE-TE-DL-16A-600V-M32-1_1/4"NPT

*[34.271.1248.4](#) → Z2-HTB-48POLE-TE-SL-16A-600V-M32-1_1/4"NPT



***NOTE 1:** Strain Relief: A hazardous location CSA Class I, Zone 2 approved method for connecting the cables to the hoods (and/or housings if applicable) must be used. The chosen method is dependent upon the specific cable type being used for the application. Examples of typical cable types (but not limited to): Teck, Tray Cable, Cabtire, etc. **Call Wieland for details...**

***NOTE 2:** see page 5 regarding covers for protection in disconnect state.

***NOTE 3:** other custom options available, contact Wieland for details...

Wieland Electric Inc. P905-829-8414
2889 Brighton Road F905-829-8413
Oakville, ON L6H 6C9 Toll-Free: 1-800-wieland



revosKIT Multipole Connectors for Class I, Zone 2 areas...



The *revosKIT* parts listed below are used to interface field wiring between the control panel & junction box. Each *SIDE ENTRY* *revosKIT* includes a Socket & Plug combination, a Hood, a Base (Housing), and a pre-installed METRIC to NPT (National Pipe Thread) Adapter.

Standard *revosKIT*s are available in 4, 6, 10, 16, 24, 32 & 48 pole versions. The electrical ratings for the inserts are as follows:

- 10A, 600V (4-pole)
 - 16A, 600V (6, 10, 16, 24, 32, 48 poles)
 - 35A, 600V (6-pole).
- Amps per pole.

*[34.271.2104.4](#) → Z2-HTB-4POLE-SE-SL-10A-600V-M20-1/2"NPT

*[34.271.2206.4](#) → Z2-HTB-6POLE-SE-SL-16A-600V-M20-1/2"NPT

*[34.272.2306.4](#) → Z2-HTB-6POLE-SE-DL-35A-600V-M25-3/4"NPT

*[34.272.2210.4](#) → Z2-HTB-10POLE-SE-DL-16A-600V-M25-3/4"NPT

*[34.272.2216.4](#) → Z2-HTB-16POLE-SE-DL-16A-600V-M25-3/4"NPT

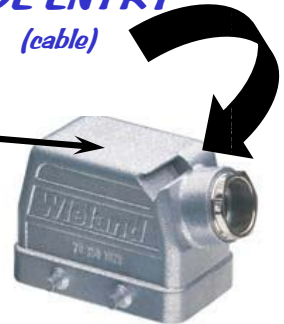
*[34.272.2224.4](#) → Z2-HTB-24POLE-SE-DL-16A-600V-M32-1"NPT

*[34.272.2232.4](#) → Z2-HTB-32POLE-SE-DL-16A-600V-M32-1_1/4"NPT

*[34.271.2248.4](#) → Z2-HTB-48POLE-SE-SL-16A-600V-M32-1_1/4"NPT



SIDE ENTRY
(cable)



Representative Photo

PANEL MOUNT

***NOTE 1:** Strain Relief: A hazardous location CSA Class I, Zone 2 approved method for connecting the cables to the hoods (and/or housings if applicable) must be used. The chosen method is dependent upon the specific cable type being used for the application. Examples of typical cable types (but not limited to): Teck, Tray Cable, Cabtire, etc. **Call Wieland for details...**

NOTE 2: see page 5 regarding covers for protection in disconnect state.

NOTE 3: other custom options available, contact Wieland for details...

Wieland Electric Inc. P905-829-8414
2889 Brighton Road F905-829-8413
Oakville, ON L6H 6C9 Toll-Free: 1-800-wieland



revosKIT Multipole Connectors for Class I, Zone 2 areas...



The *revosKIT* parts listed below are designed for *CABLE to CABLE* interface between field wiring and your control panel / junction box. Each *revosKIT* includes a Socket & Plug, **TWO TOP ENTRY** hoods, & a METRIC to NPT Adapter.

revosKITS are available in 4, 6, 10, 16, 24, 32 & 48 pole versions. **TOP ENTRY**

The electrical ratings for the inserts are available as follows:

- 10A, 600V (4-pole)
- 16A, 600V (6,10,16,24,32,48 poles)
- 35A, 600V (6-pole).

Amps per pole.

*[34.271.3104.4](#) → Z2-HTH-4POLE-TE-SL-10A-600V-M20-1/2"NPT

*[34.271.3206.4](#) → Z2-HTH-6POLE-TE-SL-16A-600V-M20-1/2"NPT

*[34.272.3306.4](#) → Z2-HTH-6POLE-TE-DL-35A-600V-M25-3/4"NPT

*[34.272.3210.4](#) → Z2-HTH-10POLE-TE-DL-16A-600V-M25-3/4"NPT

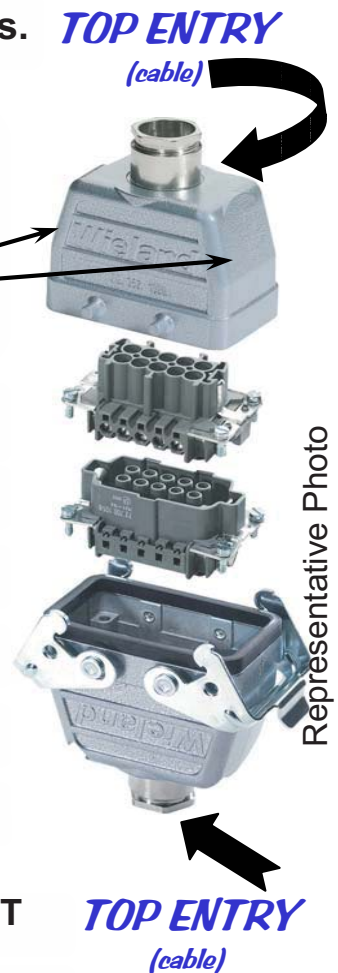
*[34.272.3216.4](#) → Z2-HTH-16POLE-TE-DL-16A-600V-M25-3/4"NPT

*[34.272.3224.4](#) → Z2-HTH-24POLE-TE-DL-16A-600V-M32-3/4"NPT

*[34.272.3232.4](#) → Z2-HTH-32POLE-TE-DL-16A-600V-M32-1_1/4"NPT

*[34.271.3248.4](#) → Z2-HTH-48POLE-TE-SL-16A-600V-M32-1_1/4"NPT

CERTIFICATION LABELS



***NOTE 1:** Strain Relief: A hazardous location CSA Class I, Zone 2 approved method for connecting the cables to the hoods (and/or housings if applicable) must be used. The chosen method is dependent upon the specific cable type being used for the application. Examples of typical cable types (but not limited to): Teck, Tray Cable, Cabtire, etc. **Call Wieland for details...**

***NOTE 2:** see page 6 regarding covers for protection in disconnect state.

***NOTE 3:** other custom options available, contact Wieland for details...

Wieland Electric Inc.
2889 Brighton Road
Oakville, ON L6H 6C9

P905-829-8414
F905-829-8413
Toll-Free: 1-800-wieland



revosKIT Multipole Connectors for Class I, Zone 2 areas...

Wieland offers **covers** designed to protect the revosKITS from contamination during transport or storage of the connectors. The covers are for use prior to final connection on site, or during transport/maintenance when connectors may be disconnected.

HOOD TO BASE

revosKITS:

revosKIT #

HOOD
Cover Part #

HOUSING
Cover Part #

34.271.1104.4
34.271.2104.4

07.417.6729.0

07.417.6829.0

HOOD COVER



34.271.1206.4
34.271.2206.4

Z7.428.1110.0

07.409.7056.0

34.272.1210.4
34.272.2210.4

Z7.428.1210.0

Z7.409.8756.0

HOUSING COVER



34.272.1216.4
34.272.2216.4
34.272.1306.4
34.272.2306.4

Z7.428.1310.0

Z7.409.8856.0

34.272.1224.4
34.272.2224.4

Z7.428.1410.0

Z7.409.8956.0

34.272.1232.4
34.272.2232.4

Z7.419.6228.0

Z7.419.6128.0

34.272.1248.4
34.272.2248.4

Z7.409.9028.0

Not Required

Pictures are representative
samples only

Jan.2006

revosKIT Multipole Connectors for Class I, Zone 2 areas...



Wieland offers **covers** designed to protect the revosKITS from contamination during transport or storage of the connectors. The covers are for use prior to final connection on site, or during transport/maintenance when connectors may be disconnected.

HOOD TO HOOD revosKITS:

revosKIT #

HOOD COVER
PART # (clamps)

HOOD COVER
PART # (pegs)

34.271.3104.4

07.417.6729.0

07.417.6829.0

Use with HOOD

With **PEGS**



34.271.3206.4

Z7.428.1110.0

07.409.7056.0

34.272.3210.4

Z7.428.1210.0

Z7.409.8756.0

34.272.3216.4

34.272.3306.4

Z7.428.1310.0

Z7.409.8856.0

Use with HOOD

With **CLAMPS**



34.272.3224.4

Z7.428.1410.0

Z7.409.8956.0

34.272.3232.4

Z7.419.6228.0

Z7.419.6128.0

34.272.3248.4

Z7.409.9028.0

Available
Upon Request

Pictures are representative samples only

Wieland Electric Inc.
2889 Brighton Road
Oakville, ON L6H 6C9

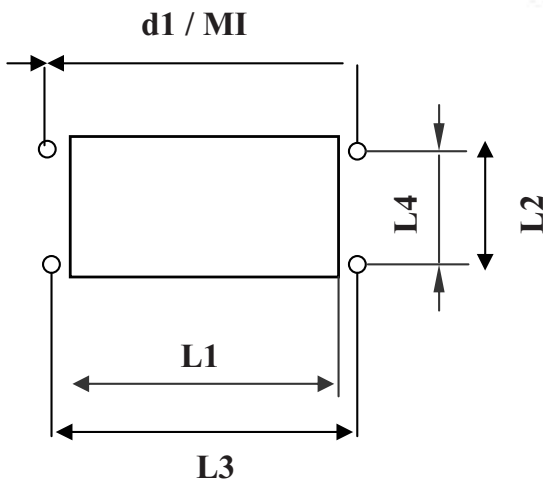
P905-829-8414
F905-829-8413
Toll-Free: 1-800-wieland



revosKIT Multipole Connectors for Class I, Zone 2 areas...



PANEL CUTOUT DIMENSIONS



The dimensions below are required for the **panel** mounted base housings for the listed Class I, Zone 2 certified multipole kits:

Wire Gauge Range:

22-12AWG

Current / Voltage (UL/CSA):

16A (per pin) / 600V

Contacts:

6-pole, 48-pole

revosKIT Part #	Cut-Out (mm)		Mounting Holes (mm)			
	L1	L2	L3	L4	d1	MI
34.271.1206.4	52	35	70	32	4.3	M4
34.271.2206.4	52	35	70	32	4.3	M4
34.271.1248.4	117	81	148	70	6.4	M6
34.271.2248.4	117	81	148	70	6.4	M6

Wieland Electric Inc.
2889 Brighton Road
Oakville, ON L6H 6C9

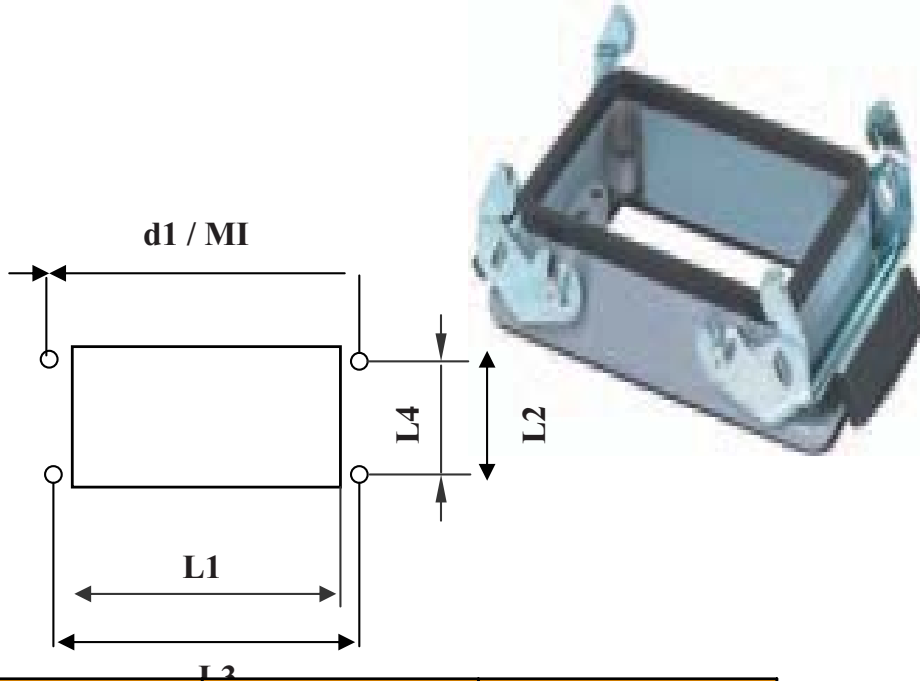
P905-829-8414
F905-829-8413
Toll-Free: 1-800-wieland



revosKIT Multipole Connectors for Class I, Zone 2 areas...



PANEL CUTOUT DIMENSIONS



The dimensions below are required for the **panel** mounted base housings for the listed Class I, Zone 2 certified multipole kits:

Wire Gauge Range:

22-12AWG

Current / Voltage (UL/CSA):

16A (per pin) / 600V

Contacts:

10, 16, 24 & 32 pole sets

revosKIT Part #	Cut-Out (mm)		Mounting Holes (mm)			
	L1	L2	L3	L4	d1	MI
*34.272.1306.4	85.5	35	83	32	4.3	M4
*34.272.2306.4	85.5	35	83	32	4.3	M4
34.272.1210.4	65	35	83	32	4.3	M4
34.272.2210.4	65	35	83	32	4.3	M4
34.272.1216.4	85.5	35	83	32	4.3	M4
34.272.2216.4	85.5	35	83	32	4.3	M4
34.272.1224.4	112	35	130	32	4.3	M4
34.272.2224.4	112	35	130	32	4.3	M4
34.272.1232.4	117	81	148	70	6.4	M6
34.272.2232.4	117	81	148	70	6.4	M6

***NOTE:**

14-8AWG, 35A/600V

6-pole

Wieland Electric Inc.
2889 Brighton Road
Oakville, ON L6H 6C9

P905-829-8414
F905-829-8413
Toll-Free: 1-800-wieland



revosKIT Multipole Connectors for Class I, Zone 2 areas...



Technical, Certifications & Material Specifications, for revosKITS for Class I, Zone 2 installations...

Electrical Specifications

Current: ***16 A** Voltage (CSA / UL): **600 V**
Insert Pin Count: **4, 6, 10, 16, 24, 32 (2x16), 48 (2x24), + PE (ground)**
Screw Clamp Wire Range Connection: **20 – 12AWG**
Temperature (Ambient) Range: **-40 °C to +50 °C**
*Ratings are per pin, 4-pole inserts rated 10A; 6-pole is also available with 35A inserts.

Material Specifications...Contact Inserts

Material: **Copper Alloy**
Screw Material: **Steel-Zn, Chromated**
Surface Plating: **Tin-Plated**

Material Specifications...Hoods, Housings

Material: **Die-Cast Aluminum Alloy** Gaskets: **NBR (Neoprene)**
Surface Protection: **Gray Epoxy Powder-Coat, Silicon-Free Finish**
Locking levers: **Zn-Plated Steel (stainless available)**
Degree of protection: **IP 65 accord. to EN 60 529** CSA File #062582-0-000

Material Specifications...Adapters

Material: **Aluminum**
Surface Protection: **Electroless Ni-Plated**
Female **NPT** Sizes: **1/2", 3/4", 1", 1_1/4"** (*specific to connector size*)

Certification for use in Hazardous Areas

Tested by QPS / Entela™ and found in conformance to the following CSA standards: **C22.2 No 0-M91; E 79-0-95; TIL E-24; E 79-15-95.**

Designation: **"Ex nC: IIC, T4, X, ZONE 2"**

File #8077

Wieland Electric Inc. P905-829-8414
2889 Brighton Road F905-829-8413
Oakville, ON L6H 6C9 Toll-Free: 1-800-wieland





wieland

2889 Brighton Road
Oakville, Ontario L6H 6C9
Phone (905) 829-8414
Fax (905) 829-8413

On the Internet
www.wielandelectric.ca

Wieland Offers A Full Line Of
Interconnect Components:

- Electro-Mechanical & Solid State Relay Modules
- Standard & Custom Interface Modules
- Industrial Multipole (rectangular) Connectors
- DIN rail Mountable Terminal Blocks
- Europa & Compact Panel Mounted Terminal Strips
- Wire Management Products
- *ricos* - Remote Interface For Fieldbus
- Signal Conditioning & Surge Suppression
- ST Compact Connector System
- Pluggable PC Board Terminal Strips
- Modular PC Board Terminal Strips

